

BEFCO®

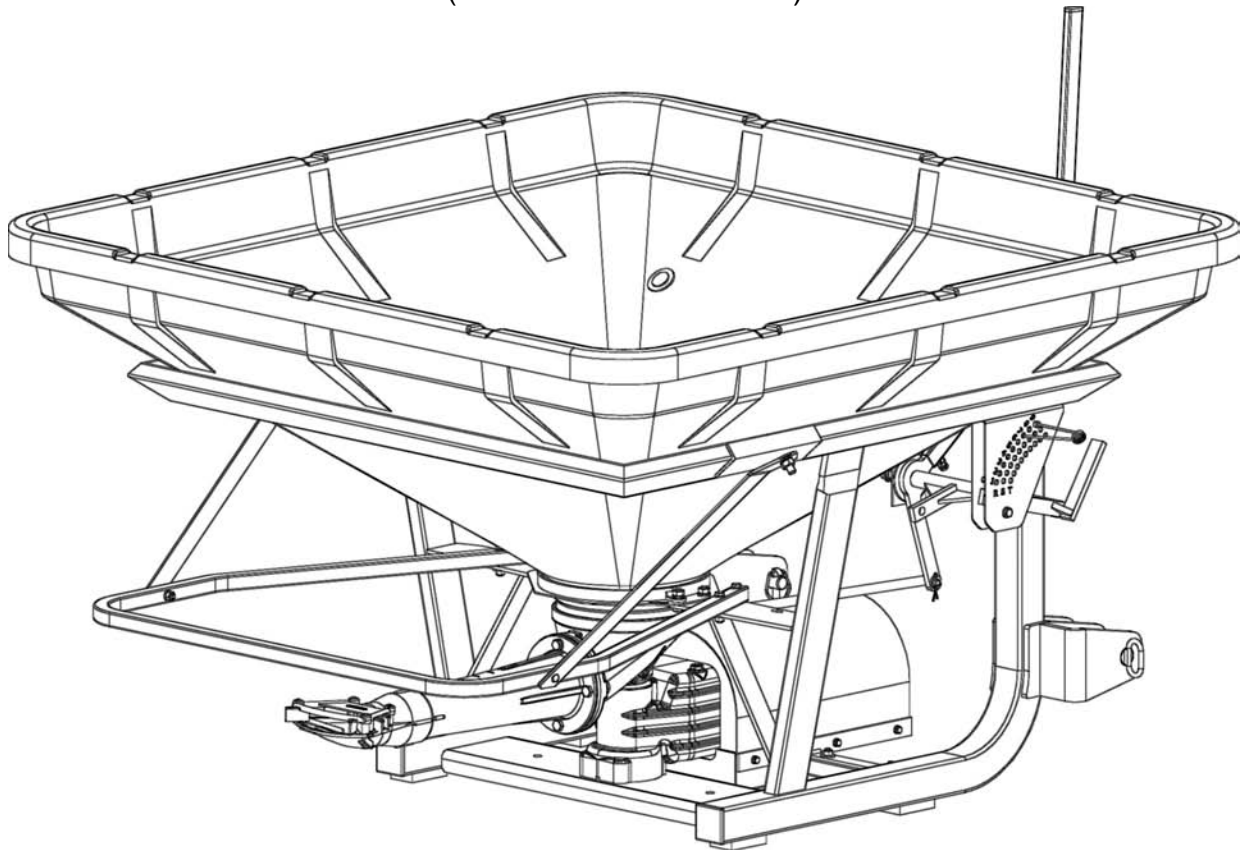
Parts Manual

TURBO-HOP

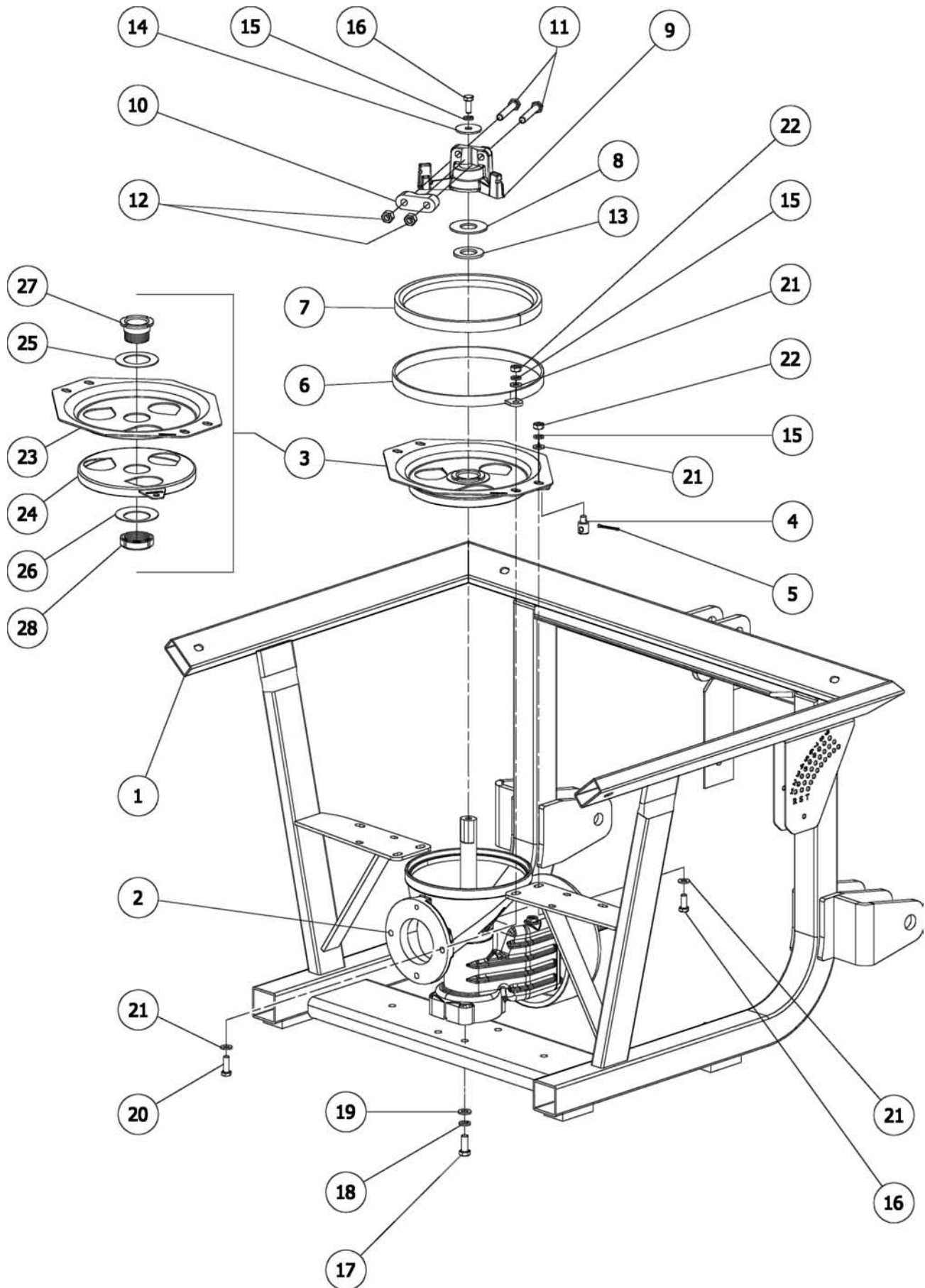
Pendular Spreaders

303-600, 303-800, 303-999

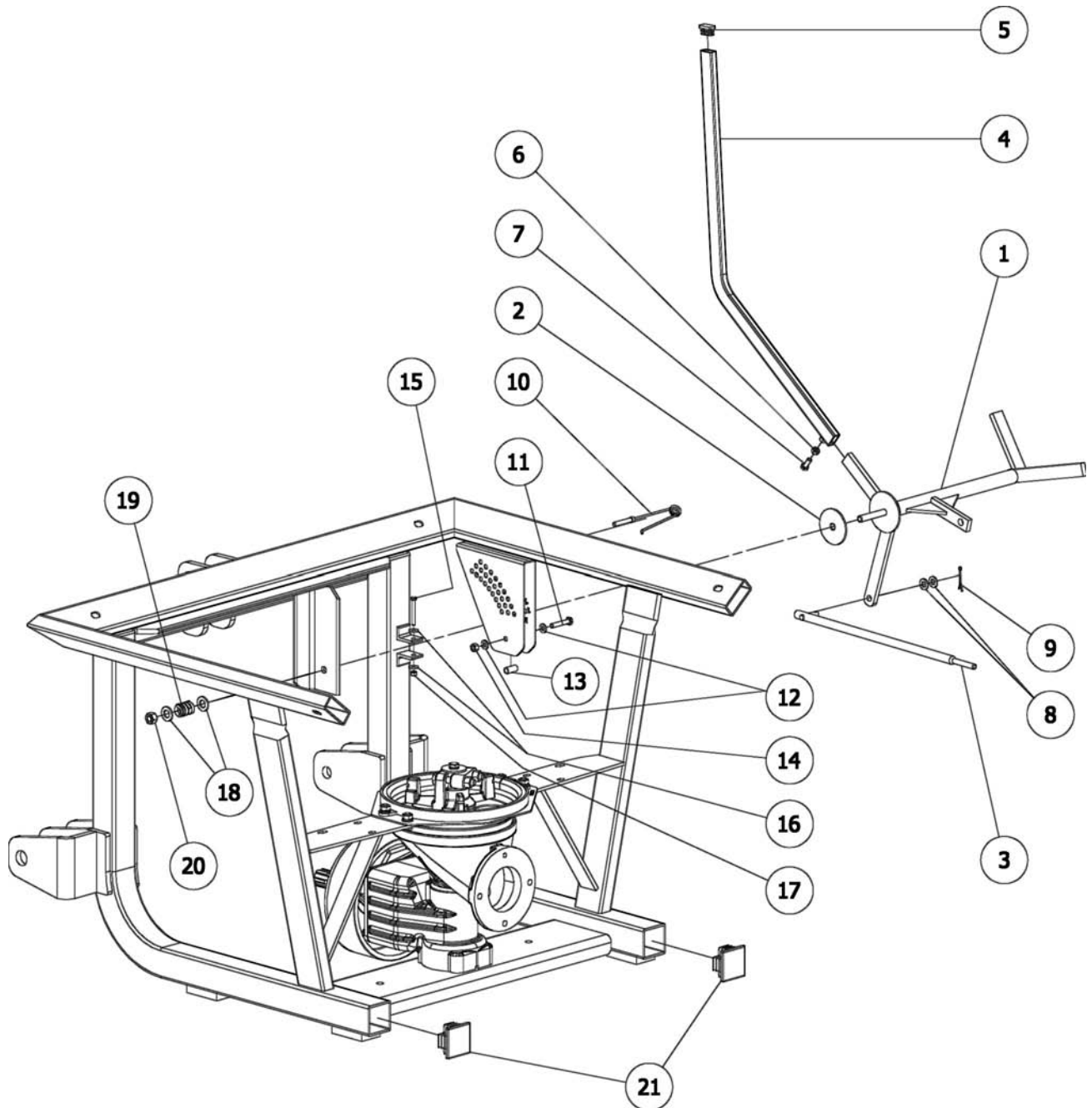
(serial #304100 & above)



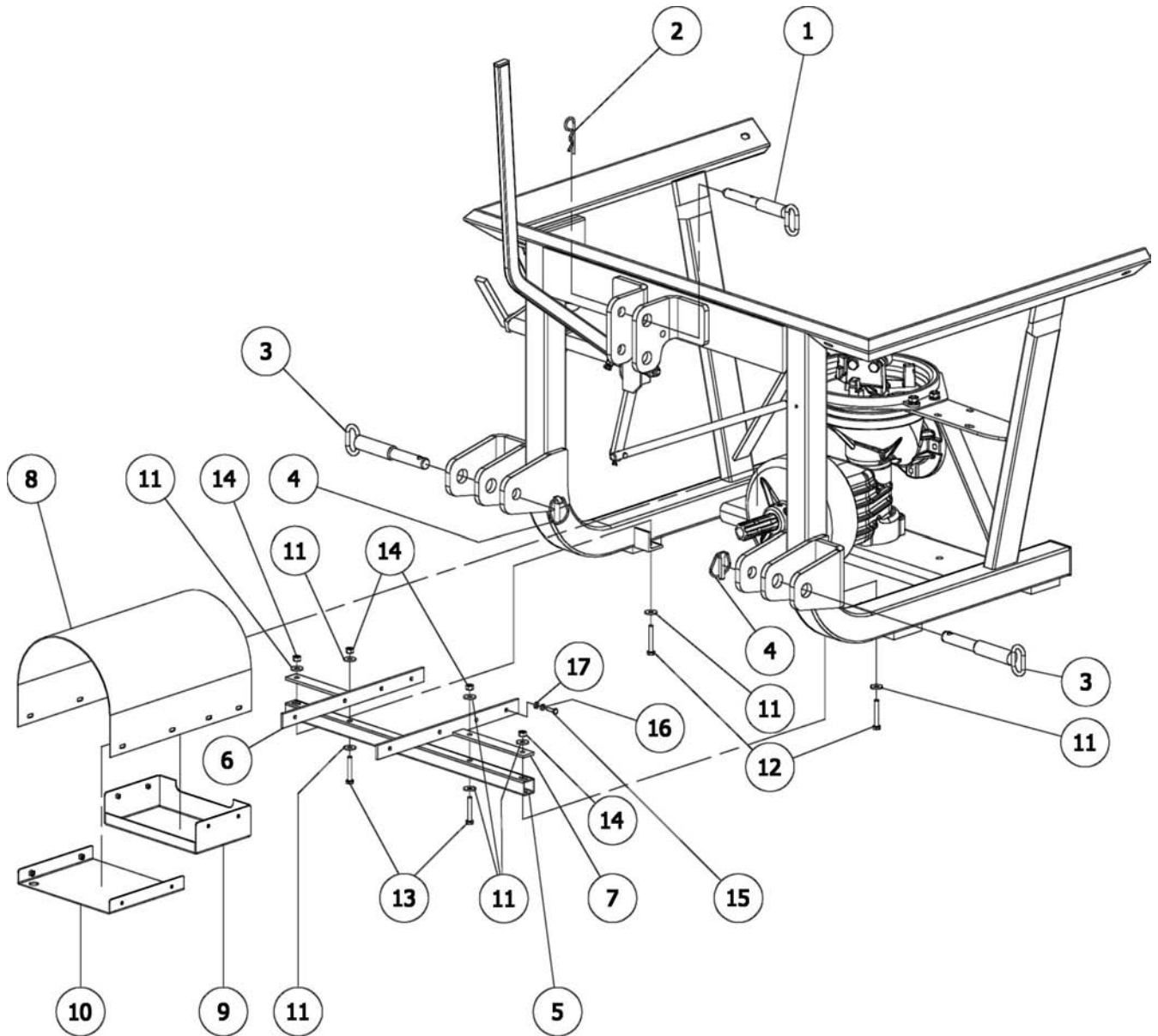
**Manual 971-408B
November 2016**



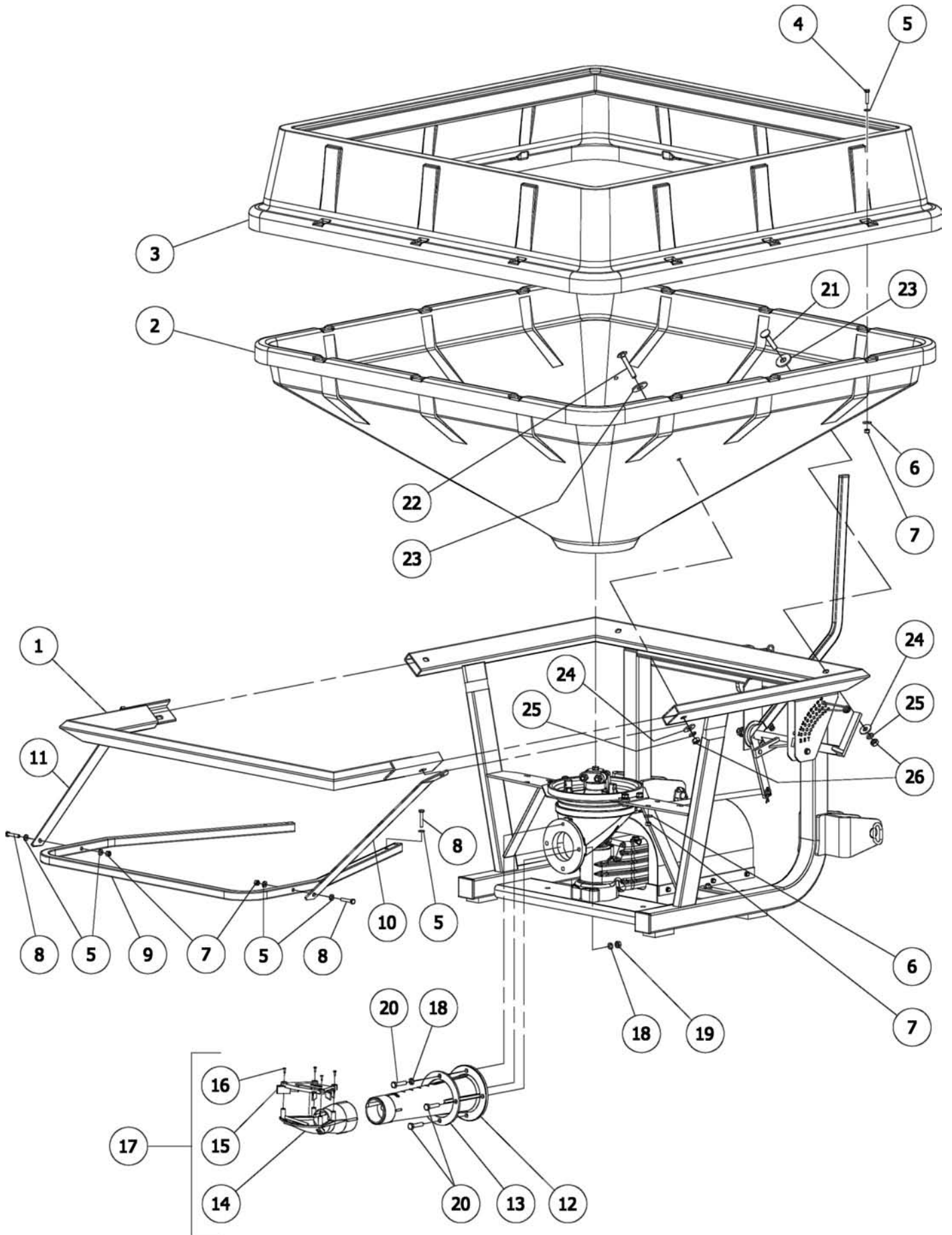
Ref.	Part #	Description	Qty.
1	009-5000	Frame; 303-600, 800, 999 #303764 & above	1
2	050-0692	Gearbox, complete; #304100 & above	1
3	009-5270	Distributing unit	1
4	009-5107	Pawl	1
5	006-7217	Cotter pin Ø3x35 N	1
6	009-5290	Ring	1
7	009-5300	Gasket	1
8	009-5304	Washer flat nylon Ø31	1
9	009-5310	Agitator	1
10	009-5314	Bracket	1
11	009-5316	Bolt HH M12-1.75x75 C8.8 Z P	2
12	001-3345	Nut ES M12-1.75 Z TK	2
13	000-3056	Washer flat Ø30 Y	1
14	005-7273	Washer fender Ø12 Z	1
15	000-1280	Washer lock Ø10 Z	5
16	003-3176	Bolt HH M10-1.50x25 C8.8 Z F	3
17	001-5255	Bolt HH M12-1.75x30 C8.8 Z F	4
18	000-1077	Washer lock Ø12 Z	4
19	000-2265	Washer flat Ø12 Z	4
20	000-1278	Bolt HH M10-1.50x30 C8.8 Z F	2
21	000-2034	Washer flat Ø10 Z	8
22	009-0150	Nut HH M10-1.50 C6 Z MD	4
23	009-5271	Upper plate, distributing unit	1
24	009-5272	Lower plate, distributing unit	1
25	009-5276	Disc flat Ø49x80x1.5 s/steel, distributing unit	1
26	009-5277	Disc conical spring Ø49x80x1.5 s/steel, distributing unit	1
27	009-5278	Threaded bushing M45	1
28	009-5279	Locking ring ES GUK M45-1.50	1



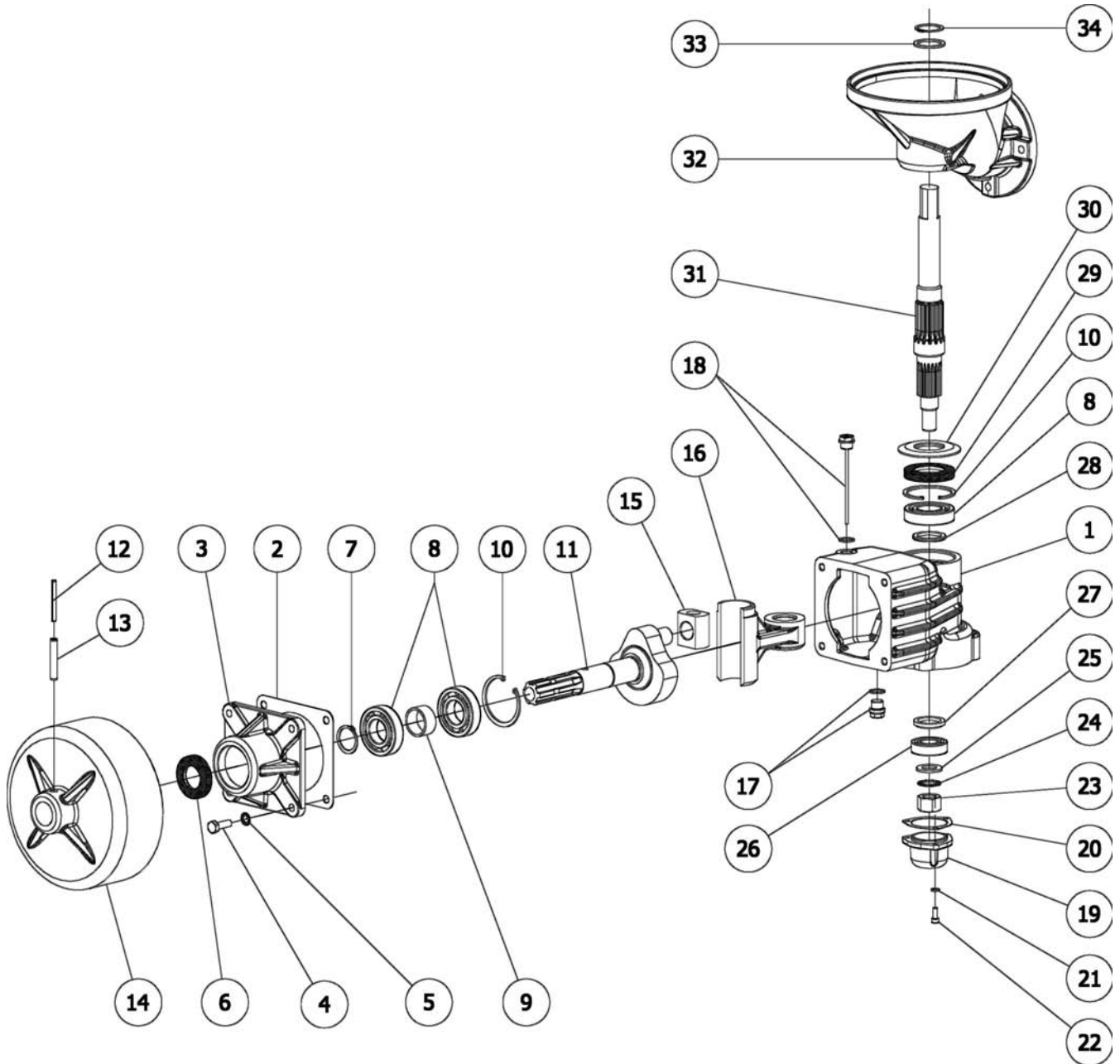
Ref.	Part #	Description	Qty.
1	009-5070	Bracket, opening lever	1
2	009-5090	Washer flat nylon Ø13	1
3	009-5100	Tie rod; 303-600, 800, 999 #303764 & above	1
4	009-5110	Opening lever	1
5	001-4391	Rubber cap	1
6	004-6545	Nut HH M08-1.25 C6 Z MD	1
7	001-5012	Bolt HH M08-1.25x20 C8.8 Z F	1
8	000-2034	Washer flat Ø10 Z	2
9	006-7217	Cotter pin Ø3x35 N	1
10	009-5049	Spring	1
11	001-4427	Bolt HH M08-1.25x45 C8.8 Z P	1
12	001-5230	Washer flat Ø08 Z	2
13	009-5039	Spacer	1
14	009-1384	Nut ES M08-1.25 Z TK	1
15	502-031B	Bolt HH M06-1.00x50 C8.8 Z P	1
16	001-1209	Washer fender Ø06 Z	2
17	001-1320	Nut PT M06-1.00 C6 Z TK	1
18	009-1435	Washer flat Ø14 Z	2
19	501-586B	Spring	1
20	001-3345	Nut ES M12-1.75 Z TK	1
21	005-8332	Plastic cap 60 mm.	2



Ref.	Part #	Description	Qty.
1	006-3061	Pin, top hitch	1
2	009-1507	Hairpin cotter Ø4 Z	1
3	009-5050	Hitch pin, lower cat.1-2	2
4	001-8266	Lynch pin Ø11x45 Z	2
5	009-5040	Reinforcement, frame; #303764 & above	1
6	019-5120	Protection attachment plate, right; #303764 & above	1
7	029-5120	Protection attachment plate, left; #303764 & above	1
8	009-5125	Upper protection, flywheel; #303764 & above	1
9	009-5130	Lower protection, flywheel; #303764 & above	1
10	009-5135	Lower protection, driveline; #303764 & above	1
11	001-4514	Washer fender Ø08 Z	8
12	001-6566	Bolt HH M08-1.25x55 C8.8 Z P	2
13	001-4490	Bolt HH M08-1.25x50 C8.8 Z P	2
14	009-1384	Nut ES M08-1.25 Z TK	4
15	001-4857	Bolt HH M06-1.00x20 C8.8 Z F	8
16	004-6536	Washer lock Ø06 Z	8
17	005-0166	Washer flat Ø06 Z	8

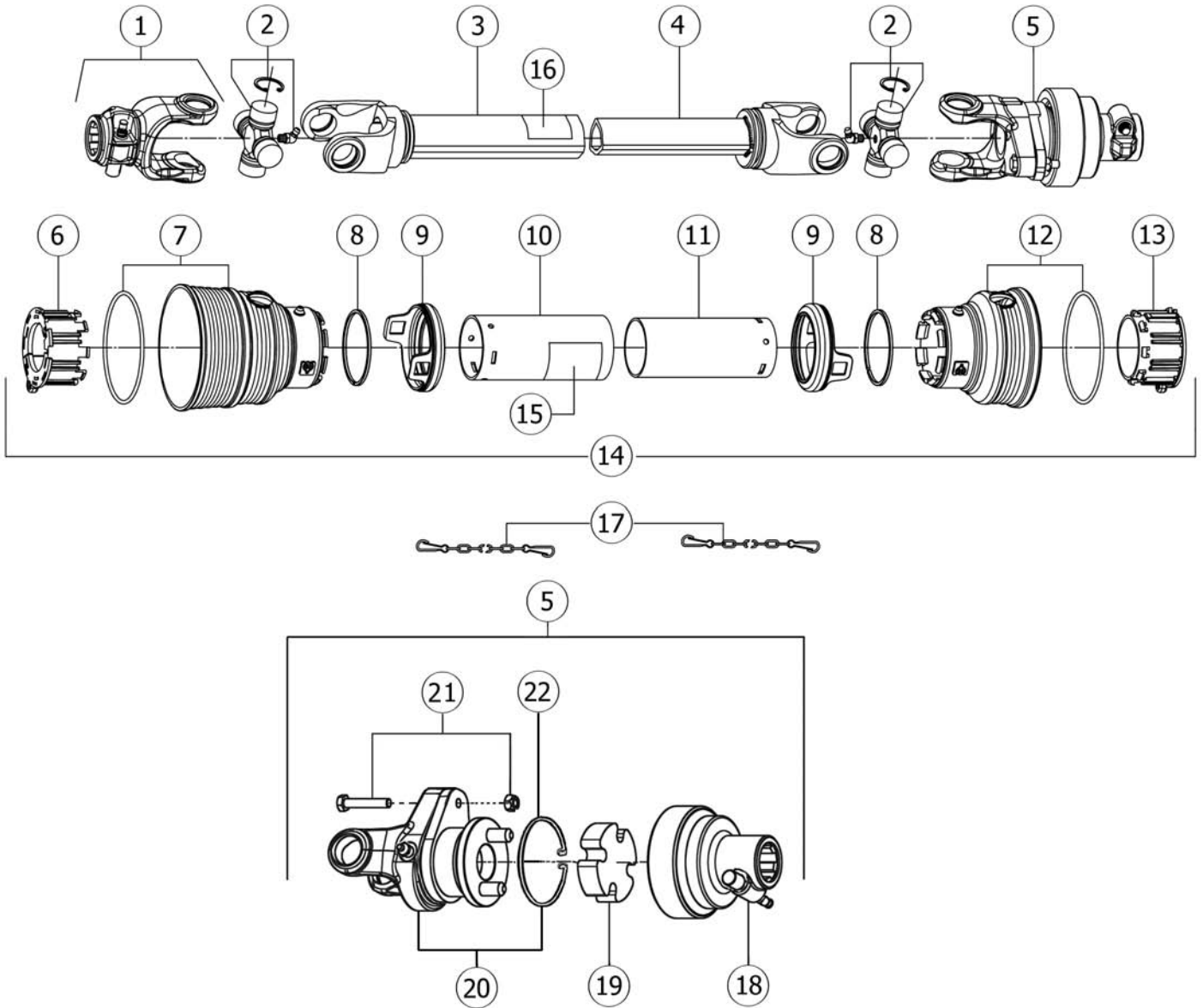


Ref.	Part #	Description	Qty.
1	009-5030	Rear frame section	1
2	009-5140	Hopper; 303-600, 800, 999	1
3	009-5142	Extension, hopper; 303-800	1
	009-5144	Extension, hopper; 303-999	1
4	001-5220	Bolt HH M08-1.25x35 C8.8 Z F	12
5	001-5230	Washer flat Ø08 Z	20
6	001-4514	Washer fender Ø08 Z	16
7	009-1384	Nut ES M08-1.25 Z TK	18
8	001-4427	Bolt HH M08-1.25x45 C8.8 Z P	6
9	009-5340	Protection, spout	1
10	019-5342	Protection attachment plate, right	1
11	029-5342	Protection attachment plate, left	1
12	009-5260	Tube, spout	1
13	009-5253	Ring, spout	1
14	009-5265	Cup, spread deflector	1
15	009-5266	Fins, spread deflector	1
16	009-5267	Self tapping screw PN M3.5x13 Z	4
17	009-5264	Spread deflector, complete	1
18	000-1280	Washer lock Ø10 Z	4
19	009-0150	Nut HH M10-1.50 C6 Z MD	3
20	002-6329	Bolt HH M10-1.50x45 C8.8 Z F	4
21	009-5150	Bolt CR M12-1.75x70 C8.8 Z	2
22	005-7375	Bolt CR M12-1.75x80 C4.6 Z	2
23	009-5152	Washer fender Ø16 Z	4
24	007-6106	Washer fender Ø12 Z	4
25	000-1077	Washer lock Ø12 Z	4
26	000-1106	Nut HH M12-1.75 C6 Z MD	4



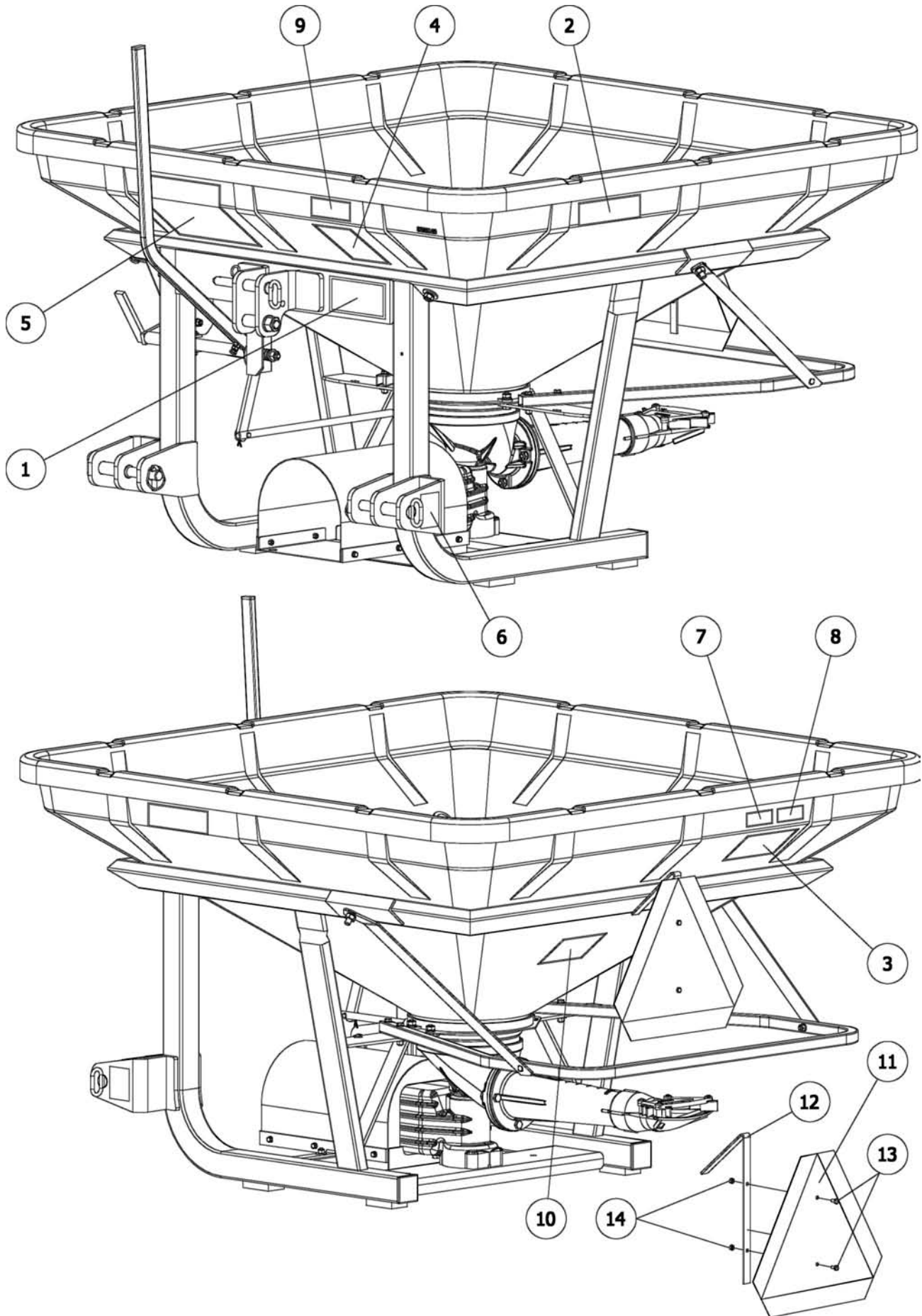
303-600, 303-800, 303-999 SERIAL #304100 & ABOVE

Ref.	Part #	Description	Qty.
1	009-5171	Housing, gearbox; #304100 & above	1
2	009-5172	Gasket	1
3	009-5173	Cover, gearbox housing	1
4	000-1278	Bolt HH M10-1.50x30 C8.8 Z F	4
5	003-5060	Washer external lock Ø10 Z	4
6	000-2295	Oil seal 35.62.10 TC	1
7	004-2122	Snap ring, outer Ø35	1
8	002-5332A	Bearing 6207	3
9	009-5179	Spacer, gearbox	1
10	002-5329	Snap ring, inner Ø72	2
11	009-5181	Input shaft, splined; #304100 & above	1
12	004-6521	Roll pin Ø6x60	1
13	503-093B	Roll pin Ø10x60	1
14	009-5184	Flywheel; #304100 & above	1
15	009-5190	Bronze slide	1
16	009-5193	Yoke; #304100 & above	1
17	009-5195	Plug w/washer	1
18	009-5197	Dipstick w/washer	1
19	009-5200	Lower cover, gearbox housing	1
20	009-5202	Gasket, lower cover	1
21	004-6536	Washer lock Ø06 Z	3
22	009-5204	Bolt SC M06-1.00x16 C8.8 Z F	3
23	000-5934	Nut ES M20-1.50 Z TK	1
24	009-5208	Washer external lock Ø20 Z	1
25	004-6555	Washer flat Ø20 Z	1
26	000-6627A	Bearing 6205	1
27	009-5211	Spacer, gearbox	1
28	009-5213	Spacer, gearbox	1
29	009-5217	Oil seal 44.72.10 TC	1
30	009-5220	Cover, gearbox housing; #304100 & above	1
31	009-5222	Shaft, splined; #304100 & above	1
32	009-5224	Housing; #304100 & above	1
33	009-5230	Shim Ø35x45x2.5 s/steel; #304100 & above	1
34	009-5231	Snap ring, outer Ø35 s/steel; #304100 & above	1
	050-0692	Gearbox complete; #304100 & above	1

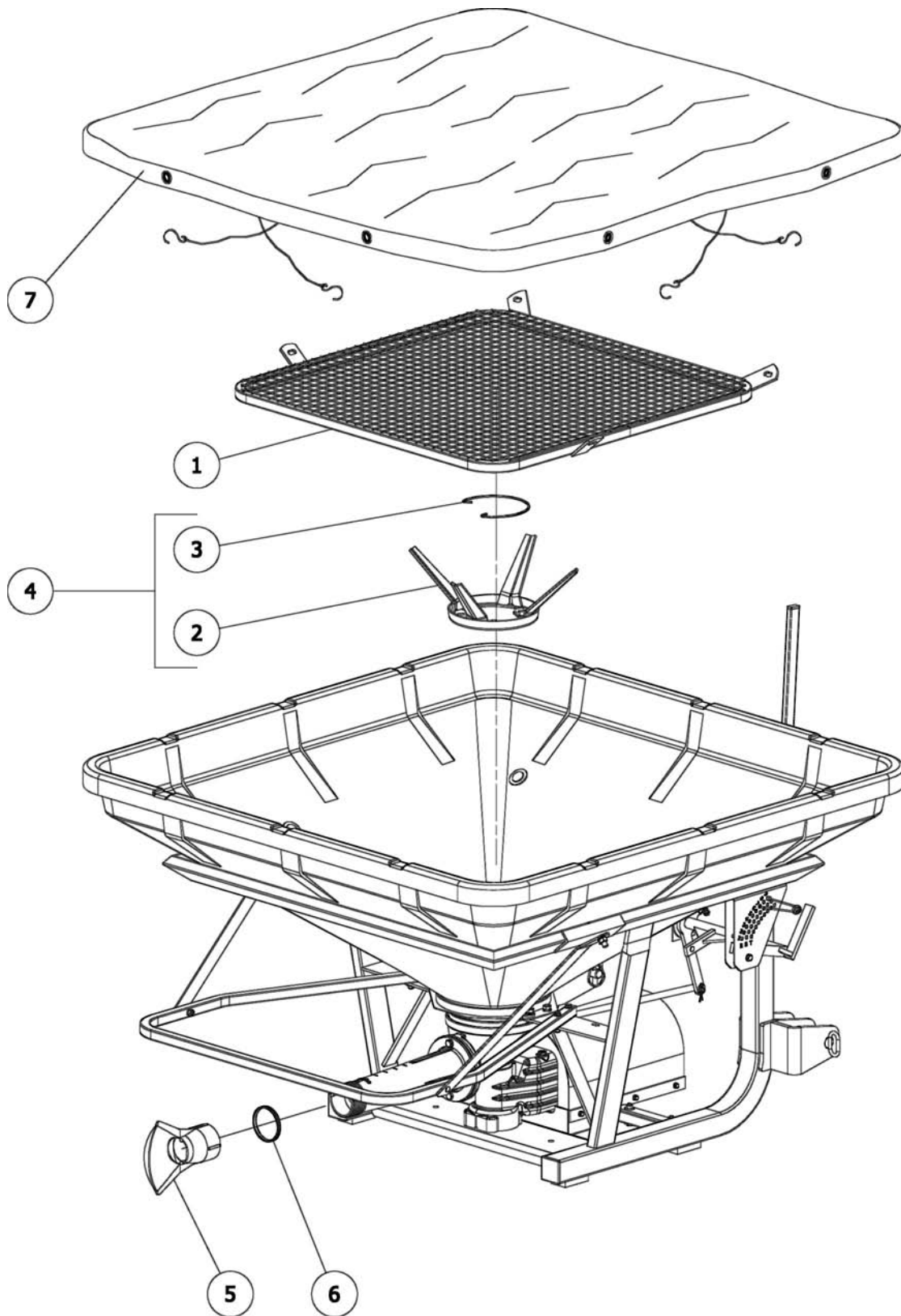


303-600, 303-800, 303-999 SERIAL #304100 & ABOVE

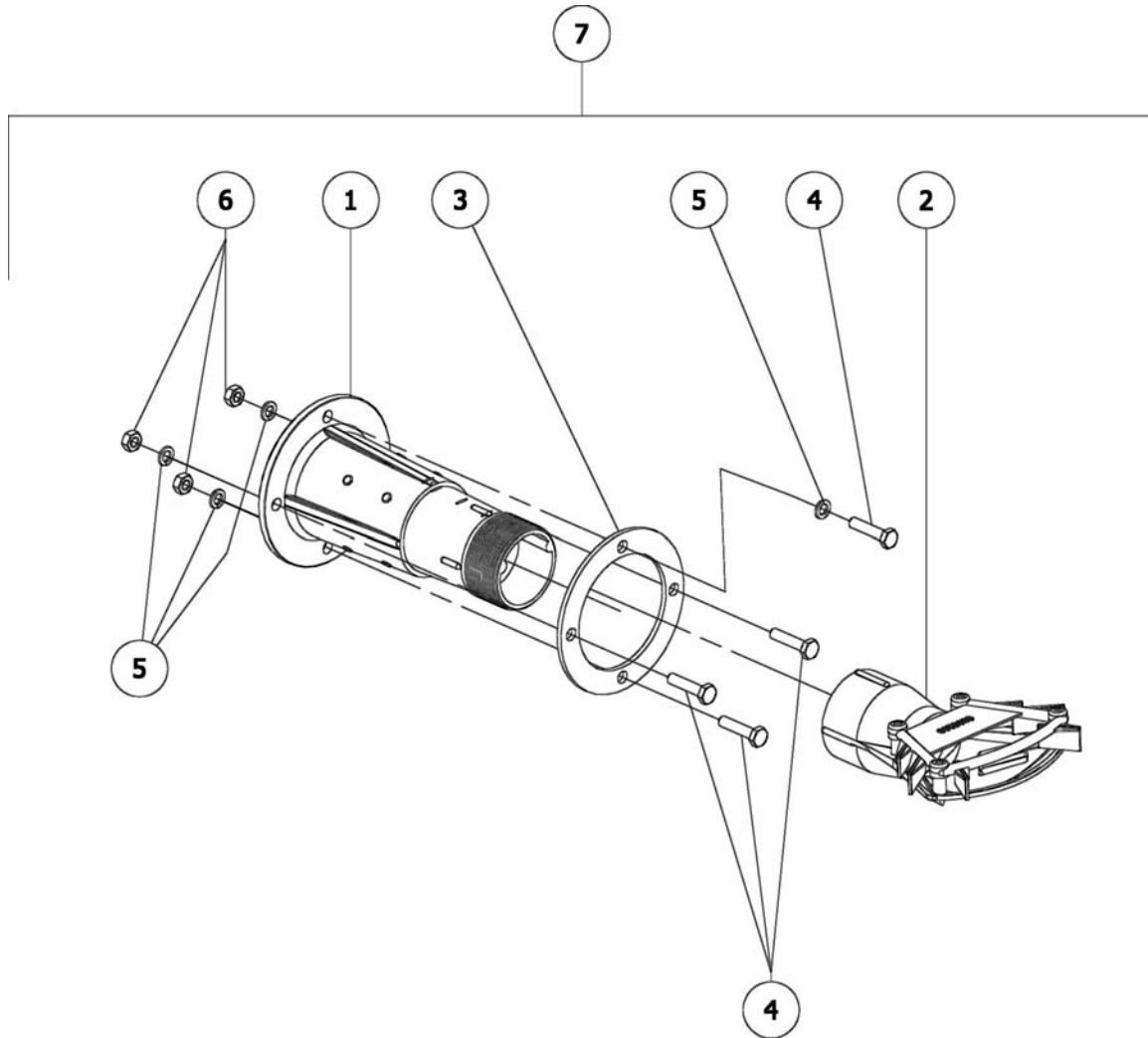
Ref.	Part #	Description	Qty.
1	1021010C	Yoke w/push pin (tractor end)	1
2	1001020C	Cross w/bearing	2
3	1941048NC	Outer tube w/yoke 480	1
4	1951049NC	Inner tube w/yoke 490	1
5	1411080C	Yoke shear pin w/2 pins w/shock absorber 1-3/8" Z6 complete	1
6	1781710C	Locking ring, outer tube	1
7	1781703C	Standard cone	1
8	1211735C	Safety ring	2
9	1881709C	Safety sleeve	2
10	1773045C	Shield, outer tube 450	1
11	1872045C	Shield, inner tube 450	1
12	1781702C	Short cone	1
13	1781711C	Locking ring, inner tube	1
14	96SC1045C	Shield, complete SC 450	1
15	950-463B	Decal "DANGER - Rotating driveline, keep away" outer shield	1
16	950-464B	Decal "DANGER - Guard missing, do not operate" outer tube	1
17	1006065C	Anti-rotation chain	2
18	1002006C	Housing, shock absorber 1-3/8" Z6	1
19	1781273C	Shock absorber	1
20	1481082C	Yoke shear pin w/2 pins	1
21	6690640C	Shear bolt M06-1.00x40 C8.8 N P w/nut PT M06-1.00	1
22	000-1154	Snap ring, inner Ø80	1
	050-0496	Driveline w/shock absorber, complete	1



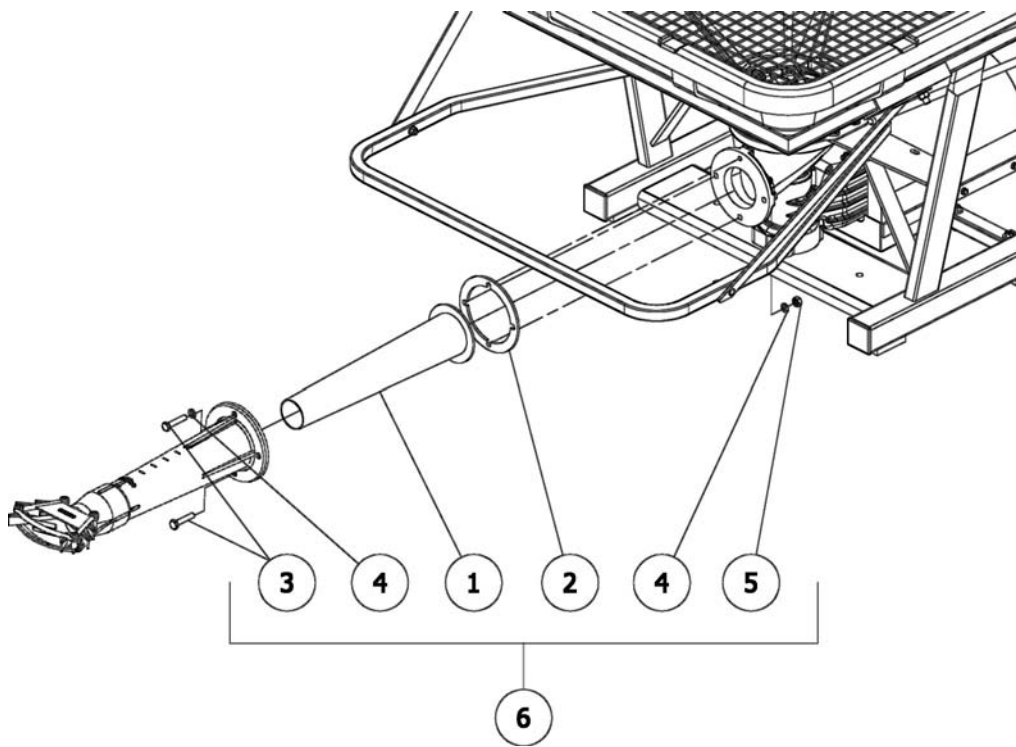
Ref.	Part #	Description	Qty.
1	950-109B	Decal "Danger PTO"	1
2	950-338B	Decal "Warning toxic chemical"	1
3	950-339B	Decal "Warning moving parts"	1
4	950-417B	Decal "Caution avoid injury"	1
5	950-333B	Decal "Spread chart Lbs/Acre"	1
6	950-940B	Decal "Quick hitch compatible"	1
7	950-392B	Decal "303"	1
8	950-394B	Decal "600"	1
	950-822B	Decal "800"	1
	950-393B	Decal "999"	1
9	950-381B	Decal "Befco, Inc." address	1
10	950-104B	Decal "B"	1
11	950-352B	Decal "SMV" plastic emblem (option)	1
12	503-680B	Mounting bracket, SMV emblem (option)	1
13	001-1208	Bolt HH M06-1.00x12 C4.6 Z F (option)	2
14	200-3001	Nut kep M06-1.00 Z (option)	2
	971-407B	Operator's Manual 303-600, 800, 999 #304100 & above	1
	971-408B	Parts Manual 303-600, 800, 999 #304100 & above	1



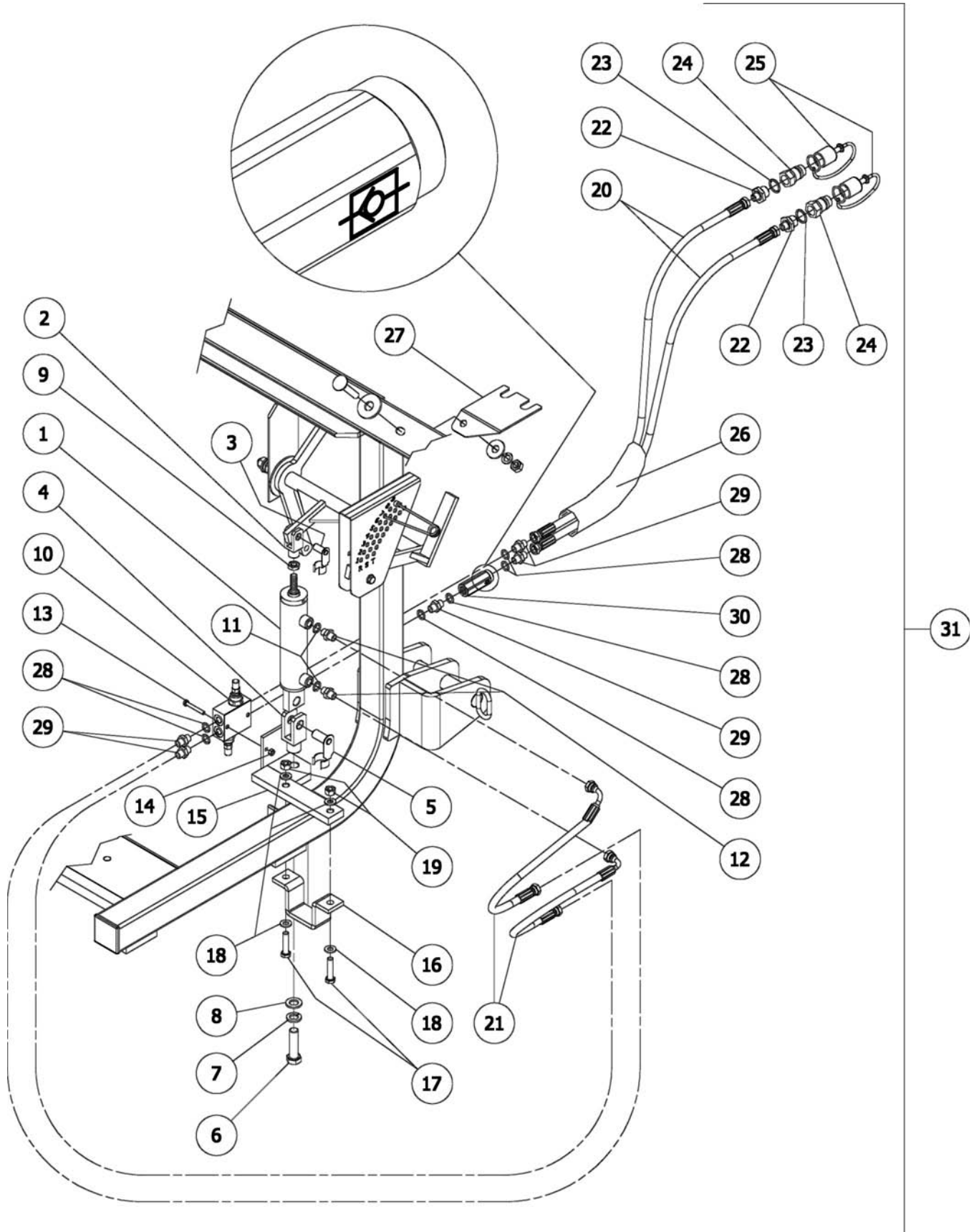
Ref.	Part #	Description	Qty.
1	009-5410	Filter grate, complete	1
2	009-5390	Powder agitator	1
3	009-5395	Spring, powder agitator	1
4	009-9454	Agitator extension, complete	1
5	009-5370	Directional attachment, complete	1
6	001-4984	Lock nut, spout	1
7	009-9725	Hopper cover; 303-600	1
	009-9726	Hopper cover; 303-800	1
	009-9727	Hopper cover; 303-999	1



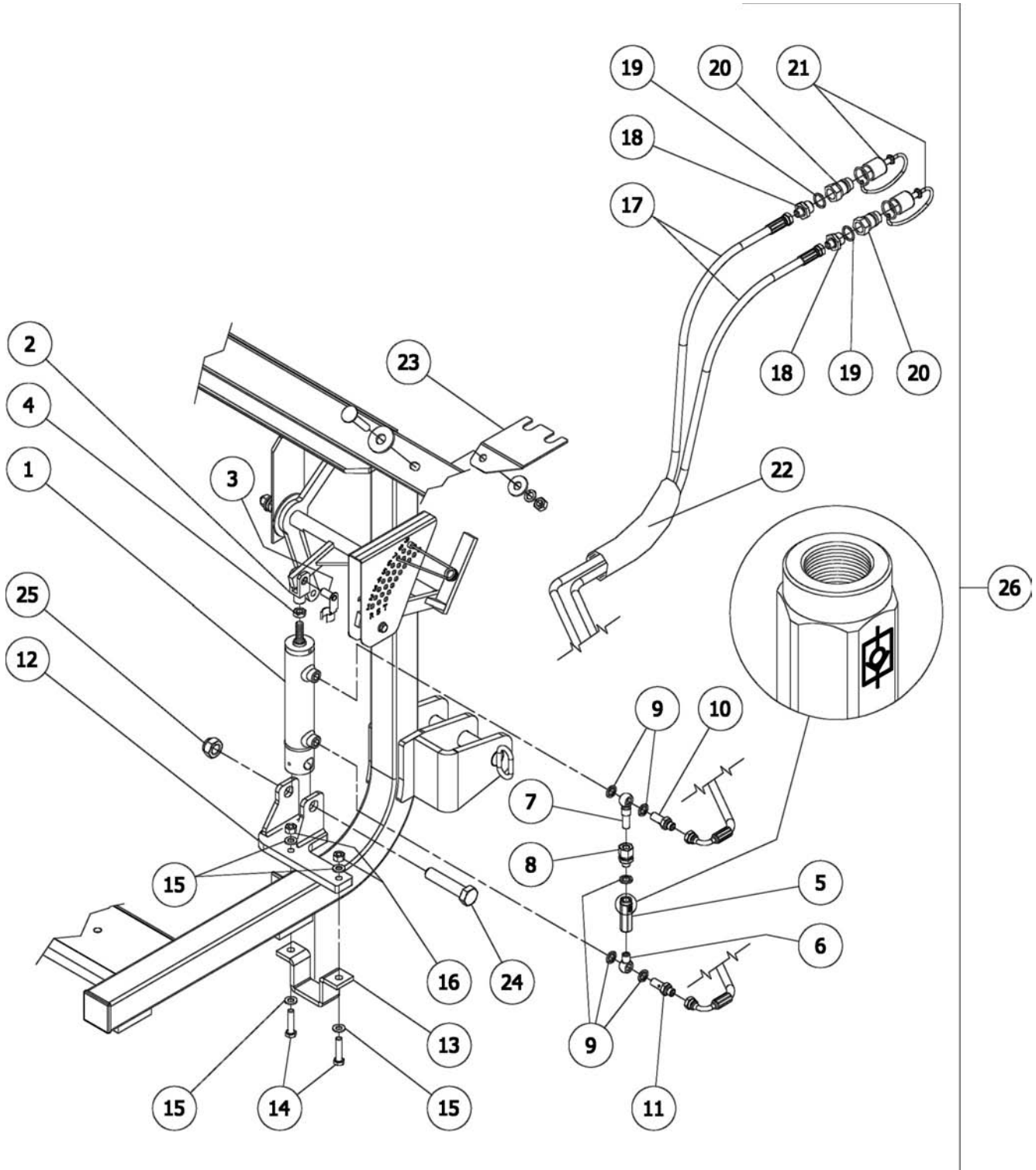
Ref.	Part #	Description	Qty.
1	009-5380	Tube, short spout	1
2	009-5264	Spread deflector, complete	1
3	009-5253	Ring, spout	1
4	002-6329	Bolt HH M10-1.50x45 C8.8 Z F	4
5	000-1280	Washer lock Ø10 Z	4
6	009-0150	Nut HH M10-1.50 C6 Z MD	3
7	009-9452	Short spout, complete	1



Ref.	Part #	Description	Qty.
1	009-5373	Rubber insert	1
2	009-5375	Ring, rubber insert	1
3	003-0331	Bolt HH M10-1.50x50 C8.8 Z F	4
4	000-1280	Washer lock Ø10 Z	4
5	009-0150	Nut HH M10-1.50 C6 Z MD	3
6	009-9451	Rubber insert, complete	1



Ref.	Part #	Description	Qty.
1	009-5422	Hydraulic cylinder	1
2	001-7221	Yoke M12, hydraulic cylinder	1
3	002-3964	Fixing pin Ø12, hydraulic cylinder	1
4	009-5425	Yoke M16, hydraulic cylinder	1
5	009-5426	Fixing pin Ø16, hydraulic cylinder	1
6	007-3513	Bolt HH M16-2.00x60 C8.8 Z F	1
7	000-2367	Washer lock Ø16 Z	1
8	000-8568	Washer flat Ø16 Z	1
9	001-7223	Nut HH M12-1.75 C6 Z TN	1
10	009-5423	Relief valve 3/8"	1
11	005-2438	Washer copper sealing 1/4"	2
12	003-5670	Adaptor STR 1/4" MBSPPx3/8" MBSPP	2
13	001-4862	Bolt HH M06-1.00x45 C8.8 Z P	2
14	005-0165	Nut ES M06-1.00 Z TK	2
15	009-5430	Mounting bracket, cylinder	1
16	009-5434	Back plate, mounting bracket	1
17	002-6329	Bolt HH M10-1.50x45 C8.8 Z F	2
18	000-2034	Washer flat Ø10 Z	4
19	001-5237	Nut ES M10-1.50 Z TN	2
20	009-5440	Hydraulic hose 3/8"x2000 mm.	2
21	009-5445	Hydraulic hose 3/8"x550 mm. w/90 degree fitting	2
22	004-1873	Adaptor STR 3/8" MBSPPx1/2" MBSPP	2
23	003-6532	Washer copper sealing 1/2"	2
24	004-1871	1/2" Quick connect nipple 1/2" FP	2
25	006-3396	Rubber cap	2
26	006-3398	Hose sleeve	1
27	009-5448	Plate, hydraulic hose retainer	1
28	004-1866	Washer copper sealing 3/8"	6
29	004-1867	Adaptor STR 3/8" MBSPPx3/8" MBSPP	5
30	009-5428	Oil flow regulator 3/8" FBSPPx3/8" FBSPP	1
31	009-9455	Hydraulic control, complete	1



Ref.	Part #	Description	Qty.
1	009-5424	Hydraulic cylinder	1
2	001-7221	Yoke M12, hydraulic cylinder	1
3	002-3964	Fixing pin Ø12, hydraulic cylinder	1
4	001-7223	Nut HH M12-1.75 C6 Z TN	1
5	009-5450	Relief valve 1/4" FBSPPx1/4" FBSPP	1
6	009-5451	Bolt eye 1/4"x1/4" MBSPT	1
7	009-5452	Bolt eye SP 1/4"x56 mm.	1
8	009-5453	Adaptor for 12 mm. tube 1/4" MBSPP	1
9	009-5454	Washer bonded sealing 1/4" Z	5
10	009-5455	Adaptor SP 1/4" MBSPPx1/4" MBSPP	1
11	009-5456	Adaptor SP 1/4" MBSPPx1/4" MBSPP w/restrictor	1
12	009-5436	Mounting bracket, cylinder	1
13	009-5434	Back plate, mounting bracket	1
14	002-6329	Bolt HH M10-1.50x45 C8.8 Z F	2
15	000-2034	Washer flat Ø10 Z	4
16	001-5237	Nut ES M10-1.50 Z TN	2
17	009-5442	Hydraulic hose 1/4"x2000 mm. w/90 degree fitting	2
18	008-2488	Adaptor STR 1/4" MBSPPx1/2" MBSPP	2
19	003-6532	Washer copper sealing 1/2"	2
20	004-1871	1/2" Quick connect nipple 1/2" FP	2
21	006-3396	Rubber cap	2
22	006-3398	Hose sleeve	1
23	009-5448	Plate, hydraulic hose retainer	1
24	002-3837	Bolt HH M20-2.50x90 C8.8 Z P	1
25	009-2276	Nut ES M20-2.50 Z TN	1
26	009-9457	Hydraulic control, complete	1

Use only original spare parts

All rights reserved. It is unlawful to copy, reprint or use any of the information or details in this manual without the expressed written permission of the Company. Technical information provided in this manual is approximate, the Company reserves the right to modify or improve the models shown for technical or commercial purposes. Pictures in this manual do not necessarily show the machine as delivered.

BEFCO[®]

P.O. Box 6036
Rocky Mount, NC 27802-6036
Tel.: 252.977.9920 - Fax: 252.977.9718
www.befco.com

